

SUBMITTAL DATA: MSZ-HE18NA & MUZ-HE18NA

18,000 BTU/H WALL-MOUNTED HEAT-PUMP SYSTEMS

Job Name:

System Reference:

Date:



Indoor Unit: MSZ-HE18NA



Outdoor Unit: MUZ-HE18NA


 Wireless Remote
Controller

GENERAL FEATURES

- Wall-mounted indoor unit
- Single connection only
- Auto fan speed control: Low, Medium, High, and Super High
- Hand-held Wireless Remote Controller
- Limited warranty: five years parts and seven years compressor

ACCESSORIES

Outdoor Unit

- Outdoor Mounting Pad (ULTRILITE1)
- Drain Pan Heater (MAC-641BH-U)
- 3-1/4" Mounting Base [Pair] (DSD-400P)
- Drain Pan Socket (MAC-811DS)
- Air Outlet Guide (MAC-886SG-E)
- Wall Mounting Bracket (CWMB1)

Indoor Unit

- BlueDiamond MaxiBlue Condensate Pump (X87-721, 230V)
- Sauermann Condensate Pump (SI30-230, 230V)
- Anit-Allergy Enzyme Filter (MAC-408FT-E)
- Platinum Catalyst Deodorizing Filter (MAC-308FT-E)
- Drain Pan Level Sensor (DPLS1)

SPECIFICATIONS

Cooling*1

Rated Capacity.....	17,200 Btu/h
Maximum Capacity.....	18,000 Btu/h
SEER.....	18.0 Btu/h/W
Total Input.....	1,640 (240-2,070) W

Heating at 47° F*2

Rated Capacity.....	18,000 Btu/h
Maximum Capacity.....	20,900 Btu/h
HSPF.....	8.5 Btu/h/W
Total Input.....	1,900 (230-2,680) W

Heating at 17° F*3

Rated Capacity.....	13,400 Btu/h
Rated Total Input.....	1,450 W
Maximum Capacity.....	17,200 Btu/h

Heating at 5° F*4

Maximum Capacity.....	13,562 Btu/h
-----------------------	--------------

Electrical Requirements

Power Supply.....	208 / 230V, 1-Phase, 60 Hz
Breaker Size.....	15 A

Voltage

Indoor - Outdoor S1-S2.....	AC 208 / 230 V
Indoor - Outdoor S2-S3.....	DC \pm 24 V
Indoor - Remote Controller.....	DC \pm 24 V

Indoor Unit

MCA.....	1.0 A
Blower Motor (ECM).....	0.76 F.L.A.
Airflow (Lo - Med - Hi - Super Hi)	
Cooling.....	275-339-420-533 Dry CFM
Wet CFM.....	240-304-385-498
Heating.....	275-339-431-512 Dry CFM
Sound Pressure Level (Lo - Med - Hi - Super Hi)	
Cooling.....	33-38-44-49 dB(A)
Heating.....	33-38-43-48 dB(A)
External Finish Color.....	Munsell 1.0Y 9.2/0.2
Dimension Unit	
Inches.....	11-5/8 H x 31-7/16 W x 9-1/8 D
mm.....	295 H x 798 W x 232 D
Weight Unit.....	22 lbs. / 10kg
Field Drainpipe Size O.D.....	5/8" x 15.88 mm

Outdoor Unit

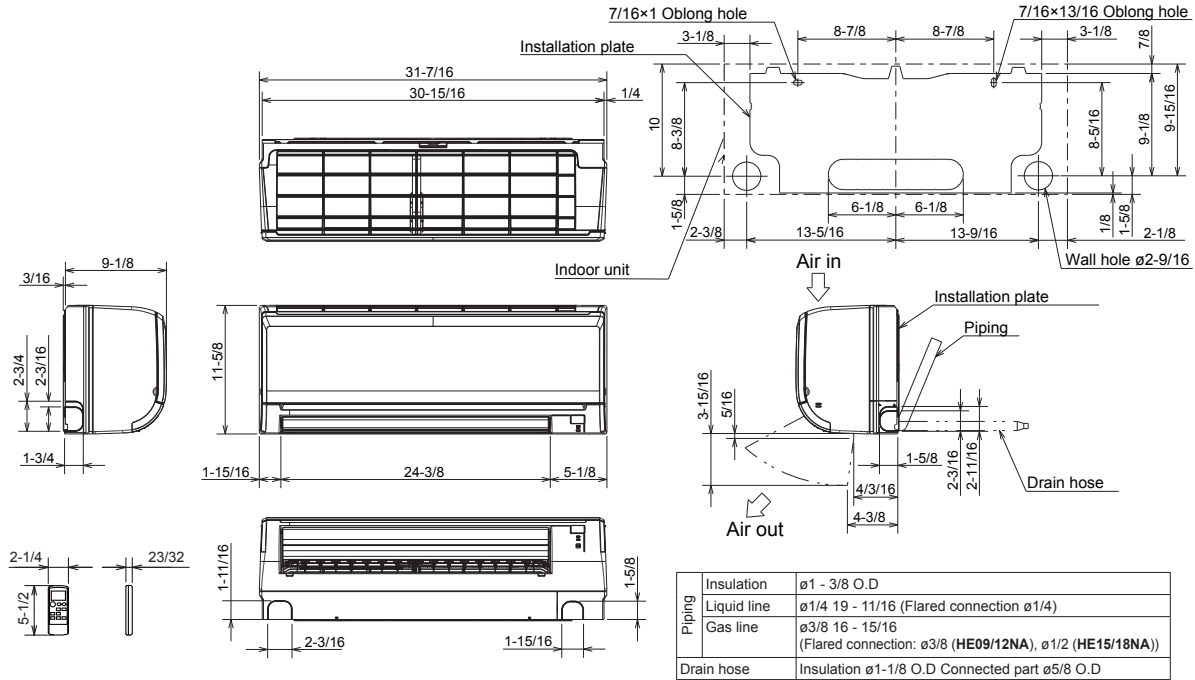
MCA.....	14 A
MOCP.....	15 A
Fan Motor (ECM).....	0.93 F.L.A.
Compressor.....	DC Inverter-driven Twin Rotary
Sound Pressure Level	
Cooling *1.....	54 dB(A)
Heating *2.....	56 dB(A)
External Finish Color.....	Munsell 3Y 7.8/1.1
External Dimensions	
Inches.....	33-1/16 H x 33-7/16 W x 13 D
mm.....	840 H x 849 W x 330 D
Weight.....	119 lbs. / 54 kg
Refrigerant Type.....	R410A
Refrigerant Pipe	
Gas Side O.D.....	1/2" / 12.7 mm
Liquid Side O.D.....	1/4" / 6.35 mm
Refrigerant Pipe Length	
Height Difference (Max.).....	50' / 15 m
Length (Max.).....	100' / 30 m
Connection Method	
Indoor/Outdoor.....	Flared

Rating Conditions:

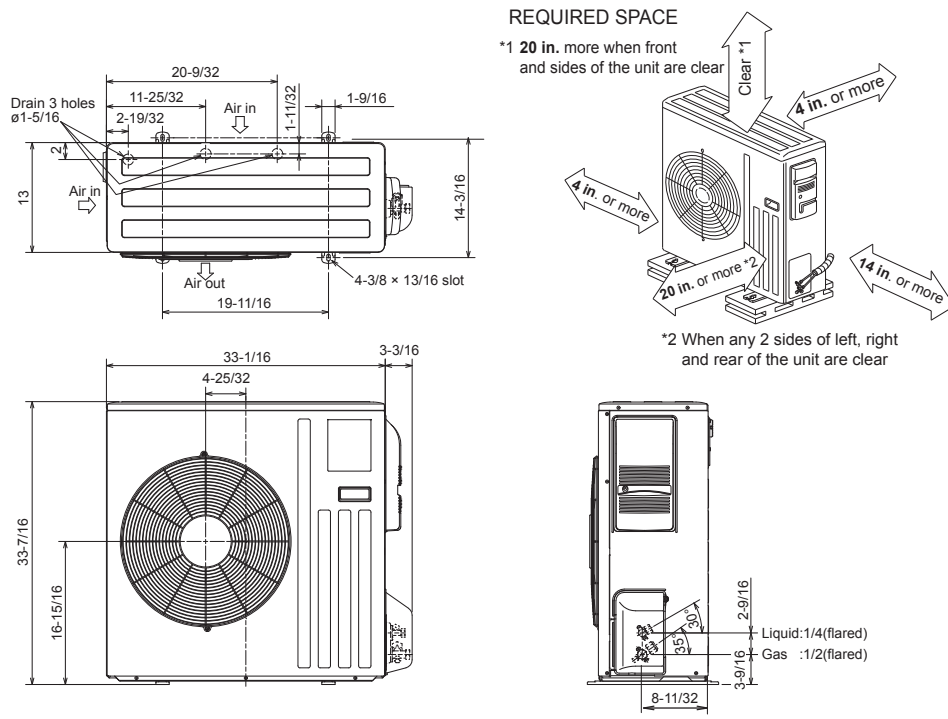
*1 Cooling Indoor: 80° F (27° C) DB / 67° F (19° C) WB
*1 Cooling Outdoor: 95° F (35° C) DB / 75° F (24° C) WB
*2 Heating at 47° F Indoor: 70° F (21° C) DB / 60° F (16° C) WB
*2 Heating at 47° F Outdoor: 47° F (8° C) DB / 43° F (6° C) WB
*3 Heating at 17° F Indoor: 70° F (21° C) DB / 60° F (16° C) WB
*3 Heating at 17° F Outdoor: 17° F (-8° C) DB / 15° F (-9° C) WB
*4 Heating at 5° F Indoor: 70° F (21° C) DB / 60° F (16° C) WB
*4 Heating at 5° F Outdoor: 5° F (-15° C) DB / 5° F (-15° C) WB

DIMENSIONS: MSZ-HE18NA & MUZ-HE18NA

MSZ-HE18NA



MUZ-HE18NA



INVERTER

