

Model SQA022KA Power 1ph, 208~230V, 60Hz

Application Range

Compressor Cooling	Natural			
Evaporating Temp.	-23 ~ 12	°C	-9 ~ 54	°F
Condensing Temp.	65	°C max.	149	°F max.
Return Gas Temp.	30	°C max.	86	°F max.
Discharge Gas Temp.	130	°C max.	266	°F max.
Motor Wire Temp.	135	°C max.	275	°F max.

Rated Performance_A 7.2°C / 54.4°C (45°F / 130°F)

Capacity	21,500	Btu/h	6,301	Watts
Motor Input	1,955		W	
Current	9.0		A	
E.E.R (C.O.P)	11.0	Btu/W.h	3.2	W/W

Rated Performance_B 10.0°C / 37.8°C (45°F / 100°F)

Capacity	25,800	Btu/h	7,562	Watts
Motor Input	1,333		W	
Current	5.9		A	
E.E.R (C.O.P)	19.4	Btu/W.h	5.7	W/W

Capacity Test Conditions_A 7.2°C / 54.4°C (45°F / 130°F)

Evaporating Temp.	7.2	°C	45	°F
Condensing Temp.	54.4	°C	130	°F
Return Gas Temp.	18.3	°C	65	°F
Liquid Line Temp.	46.1	°C	115	°F
Ambient Temp.	35.0	°C	95	°F

Capacity Test Conditions_B 10.0°C / 37.8°C (50°F / 100°F)

Evaporating Temp.	7.2	°C	45	°F
Condensing Temp.	37.8	°C	100	°F
Return Gas Temp.	18.3	°C	65	°F
Liquid Line Temp.	29.5	°C	85	°F
Ambient Temp.	35.0	°C	95	°F

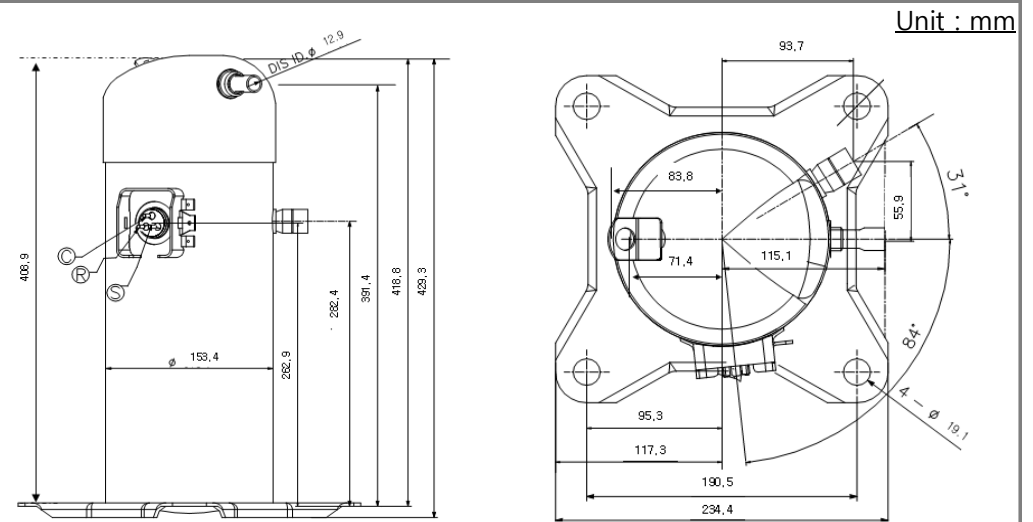
Electrical Components

Running Capacitor	35	µF	400	VAC
Overload Protector	Internal		15HM-2429	

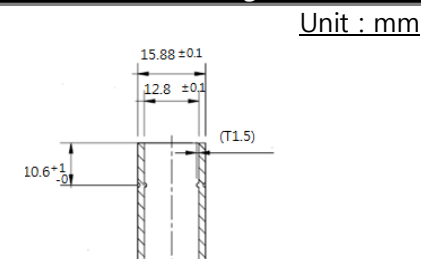
* Specifications are subject to change without notice

* General Performance Variation : ± 3%

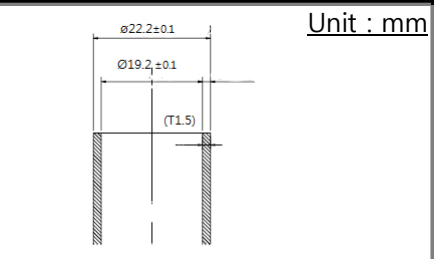
Standard Dimensions



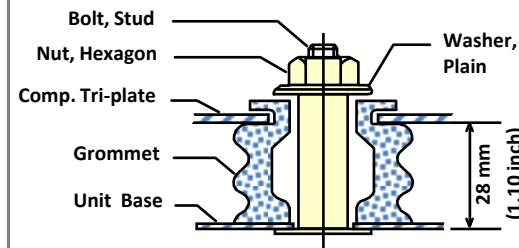
Details of Discharge Tube



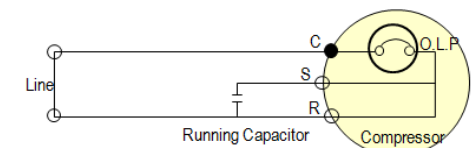
Details of Suction Tube



Compressor Mounting



Wiring Diagram



Sound & Vibration Level_A			
Sound Level	71 ± 2		dB
Amplitude	Max 30		μm
Acceleration			GAL

Sound & Vibration Test Conditions_A				
Evaporating Temp.	7.2	°C	45	°F
Condensing Temp.	54.4	°C	130	°F
Return Gas Temp.	18.3	°C	65	°F
Liquid Line Temp.	46.1	°C	115	°F
Ambient Temp.	35.0	°C	95	°F

Compressor Basic Information				
Type	Low Side Shell / Constant / Scroll			
Displacement	27.51		cc/rev	
Oil Type	4GSI or NM56 or POE(RB32G)			
Oil Charge	1100	cc	37.2	fl.oz
Weight	27	Kg	59.5	lb

Motor Basic Information				
Type	1 Phase Induction Motor			
Rated Output	1800		W	
Winding Resistance (Ω) (@25°C, 77°F)	1.239	± 7%	(U-V), Main	
	1.773	± 7%	(V-W), Sub	
		± 7%	(W-U)	
Voltage Range	187~ 253		V	
Locked Rotor Amps.	53.5		A	

Etc..				

Sound & Vibration Level_B			
Sound Level			dB
Amplitude			μm
Acceleration			GAL

Sound & Vibration Test Conditions_B				
Evaporating Temp.		°C		°F
Condensing Temp.		°C		°F
Return Gas Temp.		°C		°F
Liquid Line Temp.		°C		°F
Ambient Temp.		°C		°F

Operation Limits	
Discharge Pressure	Max. 370 psi (26.0 kg.f/cm ²)
Suction Pressure	17 ~ 91 psi (1.2 ~ 6.4 kg.f/cm ²)
Motor Coil Temp.	Max. 135°C(275°F)
Discharge Temp.	Max. 130°C(266°F)
Refrigerant Charge Limit	Max. 3,600 g (126.9 oz)
Continuous Flood Back	Continuous Flood Back before the compressor should not be more than 10% of the total circulation quantity of refrigerant.
On/Off Interval & Cycles	On / Off = 3 Minutes / 3 Minutes 20,000 Cycles or less
Voltage Range	Rated Voltage(V2) ± 10 %
Frequency Range	Rated Frequency ± 2 %
Compression Ratio in Operating	The Compression ratio in operating shall be 6.7 or less, except 3 minutes starting period.
Pressure Difference at Start up	When starting, discharge pressure is balanced with suction pressure
Inclination in Operation	The allowable tilt of the compressor in operation shall be 3° or less

* Specifications are subject to change without notice

* General Performance Variation : ± 3%